

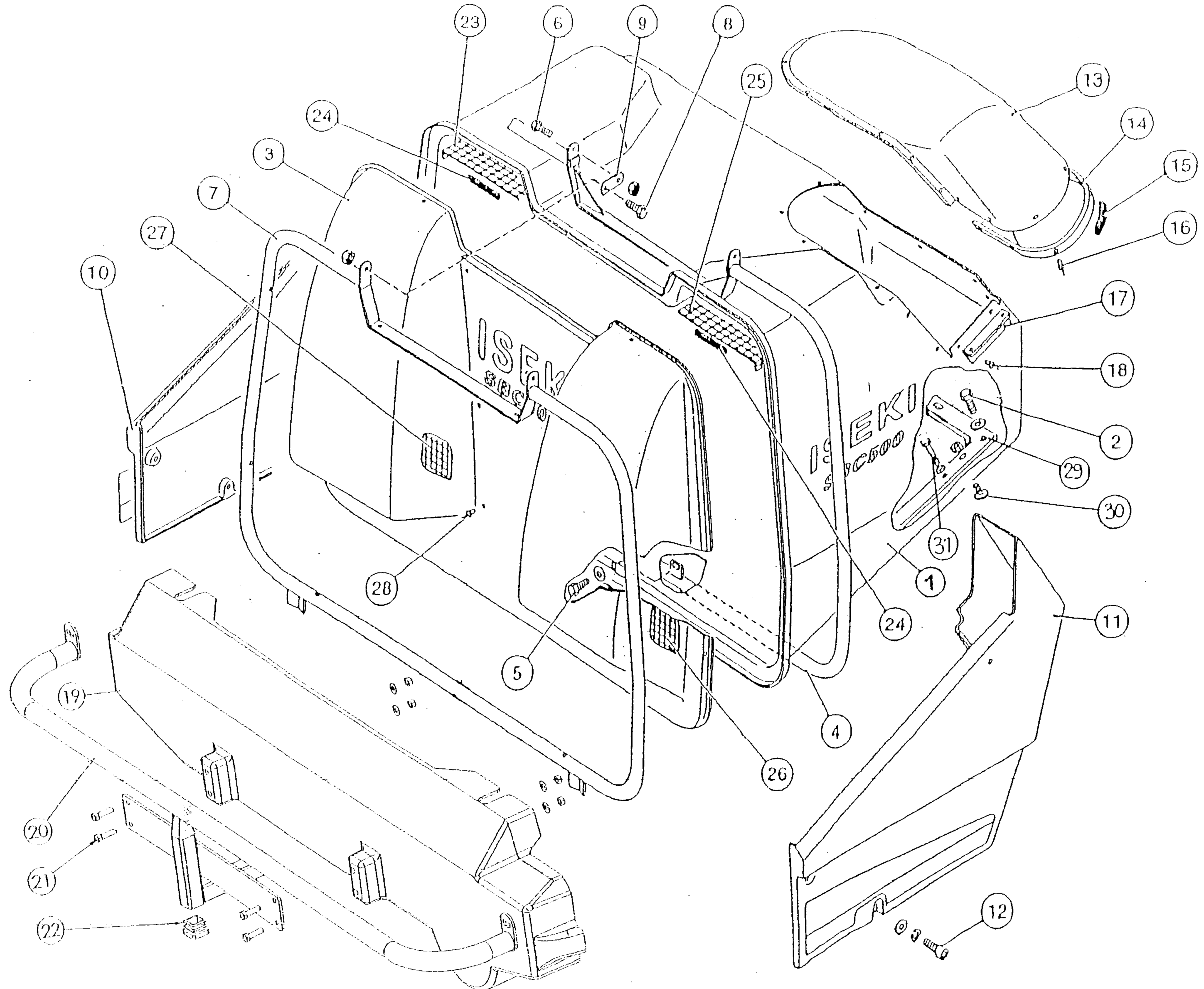
COLLECTEUR SF 200
 ENS CHASSIS ET TRANSMISSION
 585.10.05

REPERE	REFERENCE	QTE	DESIGNATION	DESCRIPTION	Monté à partir du N° série
1	S585.3051	1	Châssis collecteur	Frame	N°91
16	S150.4082	1	Rondelle	washer	
17	S585.4107	1	Guide courroie poulie moteur	Belt bracket pulley	
19	S585.4113	1	Plat		
20	S585.4165	1	Guide courroie poulie trans	Belt bracket pulley	N°91
21	S585.4098	1	Support poulie moteur	Support pulley	
23	C121.2A 120MCY	1	Poulie MCY	Pulley	
24	C128.2555	2	Moyeu	Locking	
26	S585.4007	1	Palier	Support	
27	S585.4170	1	Axe de transmission	Shaft	N°91
28	C211.521	2	Circlips intérieur	Circlip	
29	C141.6205 2RSC3	1	Roulement	Bearing	
30	S595.4023	1	Entretoise roulement	Cross piece bearing	
31	C141.3205	1	Roulement	Bearing	
32	C147.6205OD	1	Joint tôle	Metal gasket	
33	S585.4146	1	Axe	Pin	N°91
34	C121.2A 112MCY	1	Poulie MCY	Pulley	N°91
35	C157.4092	2	Courroie	Belt	
36	C181.M10Z	8	Rondelle plate	Flat washer	
37	C161.1035 Z	3	Vis H	Screw	
38	S585.4120	1	Support	support	
40	C177.16MGN	1	Rondelle	washer	N°91
41	C161.1025Z	2	Vis H	Screw	
42	S585.4127	1	Axe	Axle	
43	C173.12	4	Ecrou frein	Lock nut	
44	S585.4089	1	Ressort	Spring	
45	S585.4110	1	Câble	cable	
46	S520.4042	1	Chape tôle	Metal joke joint	
47	S520.4009	1	Ressort	spring	
49	C161.616 Z	1	Vis H	Screw	
50	C173.6	1	Ecrou frein	Lock nut	
51	S585.4130	1	fixation ressort	Fixing spring	
52	C173.8	1	Ecrou frein	Lock nut	
53	C161.820 Z	3	Vis H	Screw	

REPERE	REFERENCE	QTE	DESIGNATION	DESCRIPTION	Monté à partir du N° série
54	C181.M12	3	Rondelle plate	Flat washer	
55	C125.4013	1	Galet acier	Metal roller belt	
56	C183.12Z	2	Rondelle frein	Spring washer	
57	C161.1250 Z	1	Vis H	Screw	
58	S585.4122	1	Entretoise galet NM	Cross piece roller	
59	S585.4105	1	Guide courroie galet	Metal roller belt bracket	
62	S585.3052	1	Capot	Cover	N°91
63	S585.3054	1	Tole capot	Cover	N°91
64	S585.4158	1	Equerre	Mounting frame	N°91
66	S585.4162	1	Equerre fixation	Bracket	N°91
67	C161.1025 Z	2	Vis H	Screw	
68	C183.8Z	3	Rondelle frein	Spring washer	
69	C181.M8Z	3	Rondelle plate	Flat washer	
71	C111.4032 A	2	Cardan	PTO drive shaft	N°91
76	S585.4014	1	Support coté droit	Right support	
79	S585.4013	1	Support coté gauche	Left support	
80	C161.1025 Z	4	Vis H	Screw	
81	C161.1230 125Z	4	Vis H	Screw	
82	C173.10	1	Ecrou frein	Lock nut	
83	C161.1016 Z	2	Vis H	Screw	
84	C161.816 Z	1	Vis H	Screw	
85	S585.4166	1	Bride	couling	N°91
86	S595.4139	1	Ecrou	nut	N°91
87	C171.10Z	5	Ecrou	nut	
88	C183.10Z	6	Rondelle frein	Spring washer	
89	C171.8Z	2	Ecrou	nut	
90	C161.880Z	1	Vis H	Screw	N°91

VUE ECLATEE N° V585.11.01 - SYSTEME D'ELEVATION DU COLLECTEUR ISEKI SBC500F - LIFT SYSTEM

REPERE	REFERENCE	QTE	DESIGNATION	DESCRIPTION	monté à partir du n° de série.....
1	S585.3008	1	Chassis intermédiaire	Medium frame	
2	C161.1290Z	2	Vis H	Screw	
2a	C133.12Z	2	Rondelle frein	Spring washer	
2b	C171.12Z	2	Ecrou H	Nut	
3	C161.1270Z	2	Vis H	Screw	
3a	C133.12Z	2	Rondelle frein	Spring washer	
3b	C171.12Z	2	Ecrou H	Nut	
4	C156.4008	2	Butée caoutchouc	Rubber abutment	
4a	C171.8Z	2	Ecrou H	Nut	
5	S585.3009A	1	Support de container	Frame for container	098-13576-001
6	C162.16120	2	Vis CHc	Screw	
6a	C173.16	2	Ecrou frein	Lock nut	
7	C168.P0830Z	2	Vis Po	Screw	
7a	C171.8Z	2	Ecrou	Nut	
8	S585.4012	2	Bras d'élévation	Arm-lift	
9	S585.4022	2	Entretoise	Cross-piece	
10	S595.4028	2	Entretoise	Cross-piece	
11	C164.1270	2	Vis FHc	Screw	
11a	C133.12Z	2	Rondelle frein	Spring washer	
11b	C172.12Z	2	Ecrou H50	Nut	
12	S585.4023	2	Bielle	Lever	
13	C161.1270Z	2	Vis H	Screw	
13a	C173.12	2	Ecrou frein	Lock nut	
14	S585.4015	2	Support verrou	Support for lock-bolt	
15	C173.16	2	Ecrou frein	Lock nut	
16	S670.4109	2	Verrou	Lock-bolt	
17	C161.1025Z	4	Vis H	Screw	
17a	C181.M10Z	4	Rondelle plate	Flat washer	
17b	C172.10Z	4	Ecrou H50	Nut	



VUE ECLATEE N° V585.12.02 - VUE D'ENSEMBLE DU CONTAINER ISEKI SBC500FH & SBC500FL - SET OF GRASS CONTAINER

REPÈRE	REFERENCE	QTE	DESIGNATION	DESCRIPTION	Monté à partir du n° de série
1	S585.3005	1	Container (500 litres)	Container (500 liters)	
2	C161.1225Z	4	Vis H	Screw	
2a	C181.L12Z	2	Rondelle plate	Flat washer	
2b	C183.12Z	4	Rondelle frein	Spring washer	
2c	C171.12Z	4	Ecrou H	Nut	
3	S585.3006	1	Porte arrière	Rear door	
4	S585.4010	1	Arceau bac	Support for container	
5	C162.0825Z	2	Vis CHc	Screw	
5a	C181.M8Z	2	Rondelle plate	Flat washer	
6	C161.1020Z	2	Vis H	Screw	
6a	C172.10Z	2	Ecrou H50	Nut	
7	S585.4011	1	Arceau porte	Support for rear door	
8	C161.1020Z	2	Vis H	Screw	
8a	C172.10Z	2	Ecrou H50	Nut	
9	S585.4081	2	Plat charnière	Coupling	
10	S585.2024G	1	Protection latérale Gauche / SBC 500FH	Left skirt / SBC500FH	
10a	S585.2025G	1	Protection latérale Gauche / SBC 500FL	Left skirt / SBC500FL	
11	S585.2024D	1	Protection latérale Droite / SBC 500FH	Right skirt / SBC500FH	
11a	S585.2025D	1	Protection latérale Droite / SBC 500FL	Right skirt / SBC 500FL	
12	C162.1020Z	6	Vis CHc	Screw	
12a	C181.M10Z	6	Rondelle plate	Flat washer	
12b	C183.10Z	6	Rondelle frein	Spring washer	
13	S585.3004/A	1	Coude	Deflector	
14	S585.3004/B	1	Support joint	Frame for deflector	
15	C215.4001B	1	Joint	Inlet gasket	
16	C216.48TL16B	12	Rivet Bleu	Blue rivet	
17	S585.4054	1	Equerre	Support	
18	C216.48TL16	12	Rivet blanc	White rivet	
18a	C181.C5Z	12	Rondelle carrossier	Washer	
19	S585.3055	1	Capot arrière	Rear cover	N°91
20	S585.4139	1	Pare choc	Bumper-bar	N°91

VUE ECLATEE N° V585.12.02 - VUE D'ENSEMBLE DU CONTAINER ISEKI SBC500FH & SBC500FL - SET OF GRASS CONTAINER

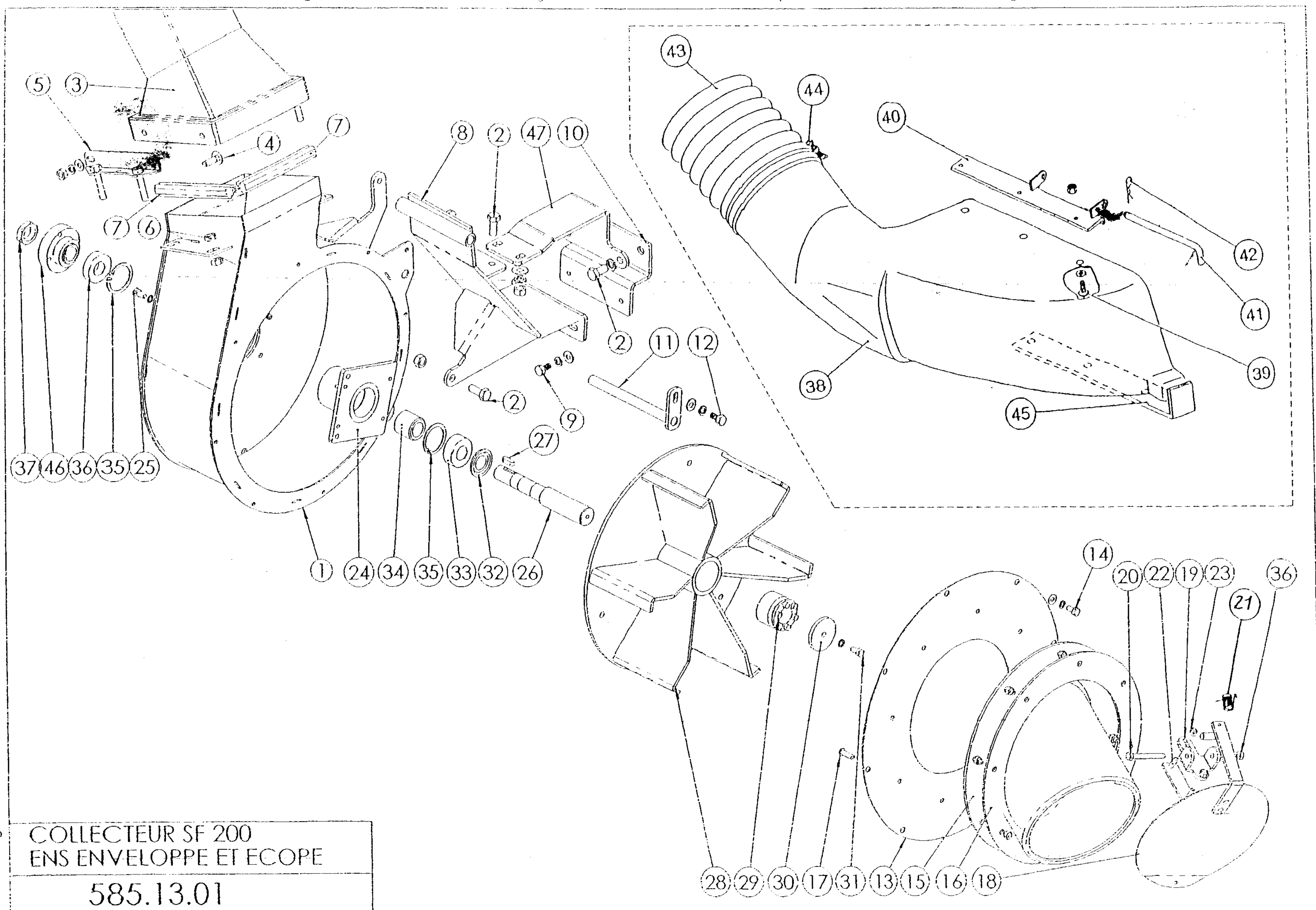
REPERE	REFERENCE	QTE	DESIGNATION	DESCRIPTION	Monté à partir du n° de série
21	C161.830Z	2	Vis H	Screw	N°91
21a	C181.M8Z	2	Rondelle plate	Flat washer	N°91
21b	C173.8Z	2	Ecrou frein	Spring washer	N°91
22	C271.CA30	2	Bouchon	Plastic cap	N°91
23	S585.4016	1	Grille bac G	Left screen for container	
24	C215.4001 I	2	Joint	Inlet gasket	
25	S585.4017	1	Grille bac D	Right screen for container	
26	S585.4060D	1	Grille porte D	Right screen for rear door	
27	S585.4060G	1	Grille porte G	Left screen for rear door	
28	C216.48TL16G	14	Rivet gris	Gray rivet	
29	S585.4109	2	Plat renfort	Fastener	098-11152-001 & 098-11723-001
30	C168.P1025Z	2	Vis polier	Raised head screw	098-11152-001 & 098-11723-001
30a	C183.10Z	2	Rondelle frein	Spring washer	098-11152-001 & 098-11723-001
30b	C171.10z	2	Ecrou	Nut	098-11152-001 & 098-11723-001
31	C161.850Z	4	Vis H	Screw	098-11152-001 & 098-11723-001
31a	C183.8Z	4	Rondelle frein	Spring washer	098-11152-001 & 098-11723-001
31b	C171.8Z	4	Ecrou	Nut	098-11152-001 & 098-11723-001

A

B

C

D



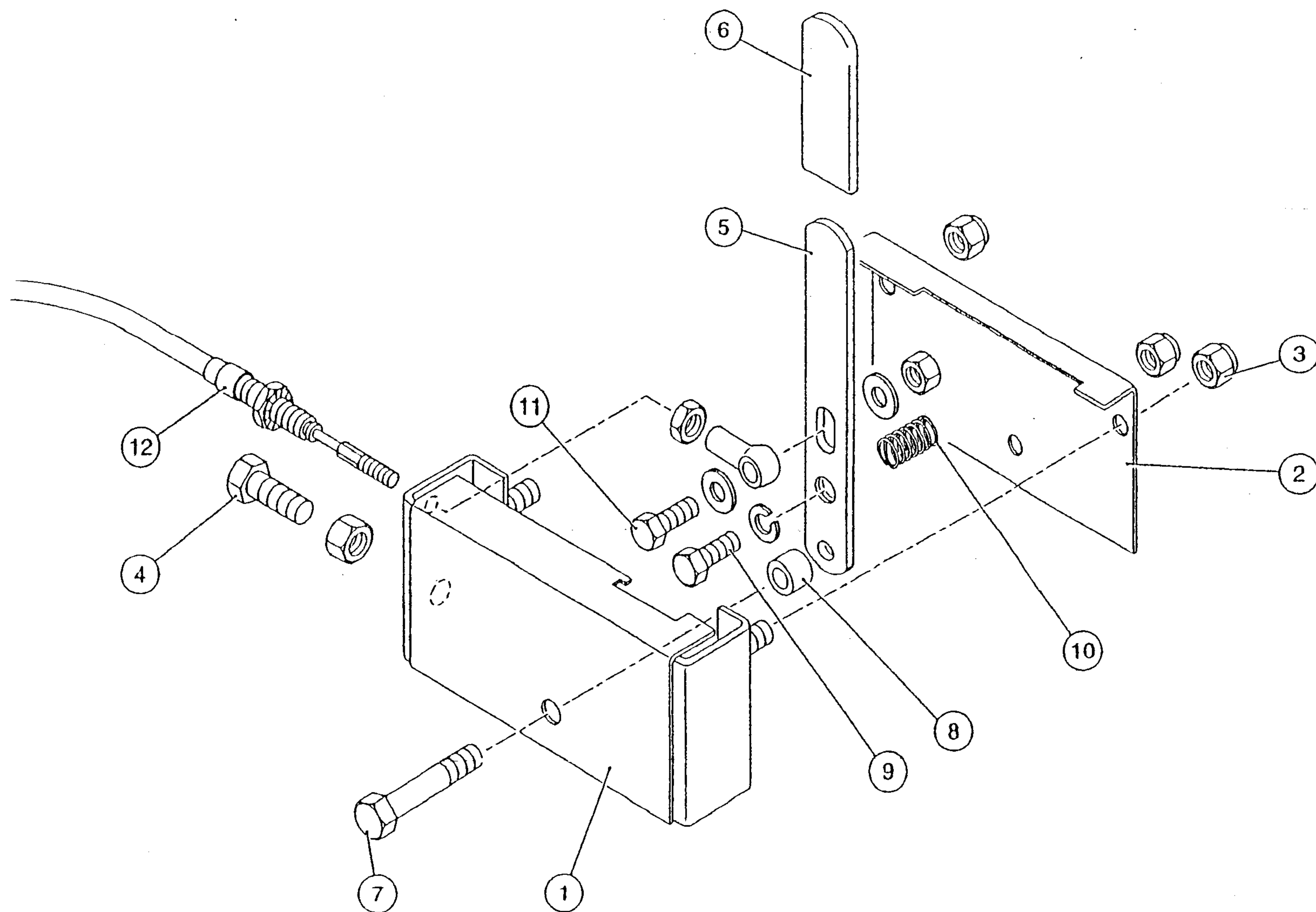
COLLECTEUR SF 200
 ENS ENVELOPPE ET ECOPE
 585.13.01

VUE ECLATEE N° V585.13.01 - SYSTEME D'ASPIRATION SUR COLLECTEUR ISEKI SBC500F - BLOWER SYSTEM

REPERE	REFERENCE	QTE	DESIGNATION	DESCRIPTION	Monté à partir du n° de série
1	S585.3011	1	Enveloppe turbine	Blower shell	
2	C161.1230Z	1	Vis H	Screw	
2a	C181.M12Z	2	Rondelle plate	Flat washer	
2b	C183.12Z	1	Rondelle frein	Spring washer	
2c	C171.12Z	1	Ecrou H	Nut	
3	S585.3063	1	Tuyau	Shooter blower	N°91
4	C163.1030Z	4	Vis TTCR	Screw	
4a	C173.10	4	Ecrou frein	Lock nut	
5	S585.4019	2	Equerre fixation	Bracket	
6a	C171.10Z	8	Ecrou H	Nut	
6b	C181.M10Z	8	Rondelle plate	Flat washer	
7a	C215.4002G	2	Joint / lg: 170 mm	inlet-gasket / Lg: 170 mm.	
7b	C215.4002H	2	Joint / lg: 180 mm	inlet-gasket / Lg: 180 mm.	
8	S585.3049	1	Support	Support	N°91
9	C161.1020Z	2	Vis H	Screw	
9a	C183.10Z	2	Rondelle frein	Spring washer	
10	S585.4057	1	Equerre	Mounting frame	
11	S585.4024	1	Axe	Hitch Pin	
12	C161.1020z	1	Vis H	Screw	
12a	C181.M10Z	1	Rondelle plate	Flat washer	
12b	C183.10Z	1	Rondelle frein	Spring washer	
13	S660.3041	1	Disque fermeture	Cover	
14	C161.816Z	8	Vis H	Screw	
14a	C183.8Z	8	Rondelle frein	Spring washer	
14b	C181.M8Z	8	Rondelle plate	Flat washer	
15	S660.3034	1	Entrée enveloppe	Intake of blower shell	
16	S660.4109	1	Disque	cover	
17	C168.PO820Z	8	Vis PO	Screw	
17a	C173.8	8	Ecrou frein	Lock nut	
18	S590.4014	1	Volet	Shutter (Guard)	
19	S590.4015	1	Chape	Fork	
20	C161.870Z	1	Vis H	Screw	
20a	C173.8	1	Ecrou frein	Lock nut	
21	S590.4045	1	Ressort	Spring	
22	S590.4015/C	1	Plat fixation	Fastener	

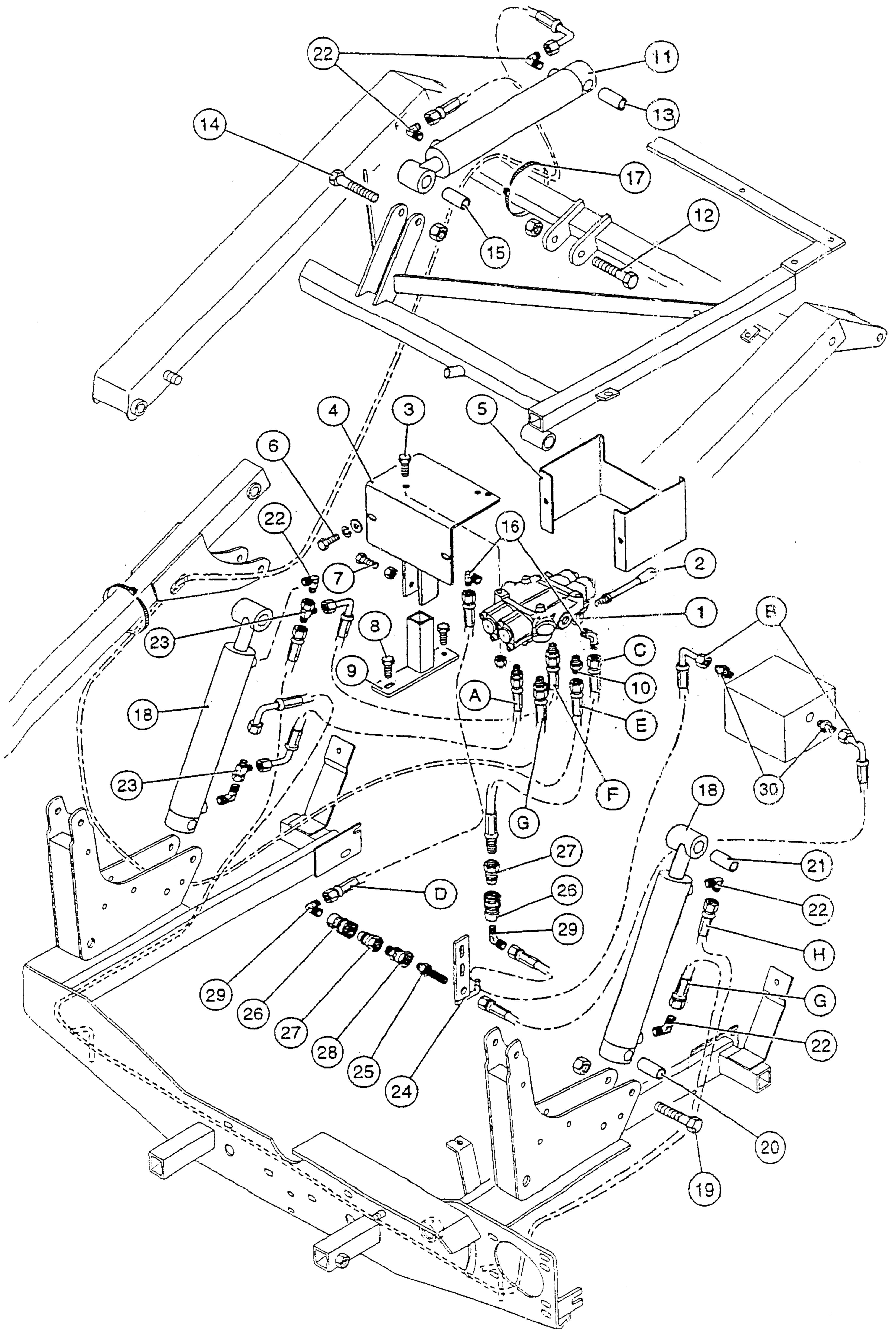
VUE ECLATEE N° V585.13.01 - SYSTEME D'ASPIRATION SUR COLLECTEUR ISEKI SBC500F - BLOWER SYSTEM

REPERE	REFERENCE	QTE	DESIGNATION	DESCRIPTION	Monté à partir du n° de série
23	C173.8	2	Ecrou frein	Lock nut	
24	S585.4007	1	Palier	Support	
25	C161.816Z	4	Vis H	Screw	
25a	C183.8Z	4	Rondelle frein	Spring washer	
25b	C181.M8Z	4	Rondelle plate	Flat washer	
26	S585.4169	1	Axe	Shaft	N°91
27	C201.6630	1	Clavette	Key	
28	S585.3012	1	Turbine	Fan	
29	C128.400030	1	Moyeu serrage	Locking assembly	
30	S585.4044	1	Rondelle	Washer	
31	C161.816Z	1	Vis H	Screw	
31a	C183.8Z	1	Rondelle frein	Spring washer	
32	C147.6205 OD	1	Joint tôle	Metal gasket	
33	C141.3205 2RS	1	Roulement	Bearing	
34	S595.4023	1	Entretoise	Cross-piece	
35	C211.52 I	2	Circlips	Circlip	
36	C141.6205 2RS	1	Roulement	Bearing	
37	S595.4139	1	Ecrou	nut	
38 a	S585.3001	1	Ecope avec patin pour tondeuse 54"	Shooter mover with skid for 54"	
38 b	S585.3047	1	Ecope avec patin pour tondeuse 48"	Shooter mover with skid for 48"	
39	C168.PO620Z	6	Vis PO	Screw	
39a	C183.6Z	6	Rondelle frein	Spring washer	
39b	C171.6Z	6	Ecrou	Nut	
40a	S585.4082	1	Charnière pour tondeuse 48"	Mounting shooter mover for 48"	
40b	S585.4001	1	Charnière pour tondeuse 54"	Mounting shooter mover for 54"	
41	S585.4018	1	Axe	Pin	
42	C194.3S	1	Goupille bêta	Hair pin	
43	C273.200 J	1	Gaine	Tube	
44	C217.SDG205	1	Collier	Clamping collar	
45	S595.4143	1	Patin	Skid	
45a	C216.48TF16	3	Rivet	Rivet	
45b	C181.C5Z	3	Rondelle carrossier	Flat washer	
46	S585.4166	1	Bride	Couling	N°91
47	S585.4155	1	Equerre	Mounting frame	N°91



VUE ECLATEE N° V585.14.00 - BOITIER D' EMBRAYAGE POUR COLLECTEUR ISEKI SBC500F - CLUTCH HANDLE SYSTEM

REPERE	REFERENCE	QTE	DESIGNATION	DESCRIPTION	Monté à partir du n° de série
1	S585.4050	1	Boitier-support	Box	
2	S585.4049	1	Flasque	Cover	
3	C173.8	3	Ecrou frein	Lock nut	
4	C161.1020Z	1	Vis H	Screw	
4a	C172.10Z	1	Ecrou H	Nut	
5	S595.4134	1	Levier	Lever	
6	C272.4001	1	Poignée	Grip	
7	C161.855Z	1	Vis H	Screw	
8	S585.4086	1	Entretoise	Cross piece	
9	C161.820Z	1	Vis H	Screw	
9a	C183.8Z	1	Rondelle frein	Spring washer	
10	S595.4135	1	Ressort	Spring	
11	C161.825Z	1	Vis H	Screw	
11a	C181.M8Z	2	Rondelle plate	Flat washer	
11b	C173.8	1	Ecrou frein	Lock nut	
12	S595.4001	1	Cable d'embrayage	Clutch cable	

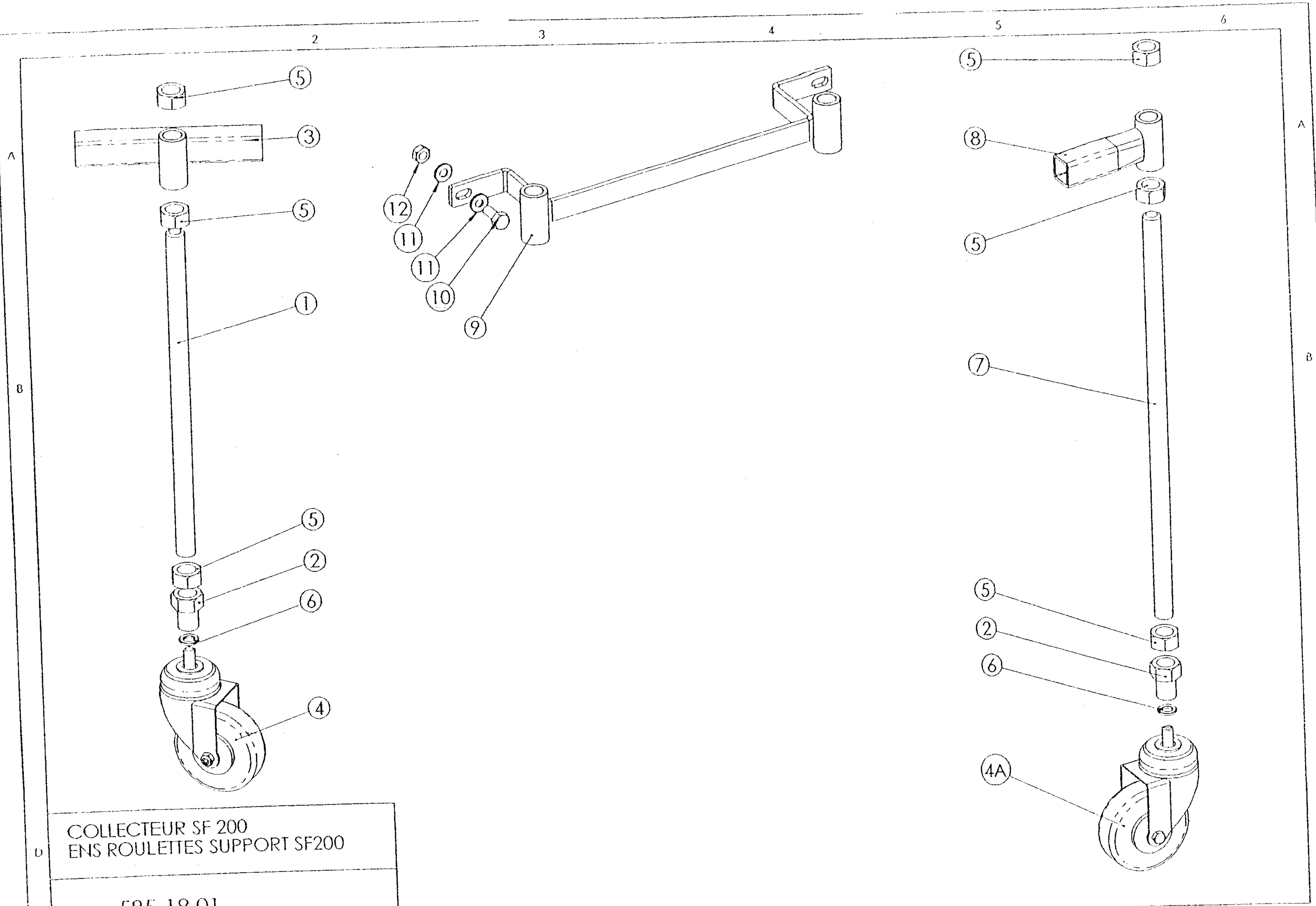


VUE ECLATEE N° V585.15.00 - SYSTEME HYDRAULIQUE DU COLLECTEUR ISEKI SBC500FH - HYDRAULIC SYSTEM

REPERE	REFERENCE	QTE	DESIGNATION	DESCRIPTION	Monté à partir du n° de série
1	C137.4048	1	Distributeur hydraulique	Monobloc valve	
2	C137.4048A	2	Poignée	Distributor Handlever	
3	C161.840Z	2	Vis H	Screw	
3a	C173.8	2	Ecrou frein	Lock nut	
4	S585.4027	1	Support	Frame for monobloc valve	
5	S585.4028	1	Capot	Cover	
6	C161.816Z	2	Vis H	Screw	
6a	C183.8Z	2	Rondelle frein	Spring washer	
6b	C181.M8Z	2	Rondelle plate	Flat washer	
7	C161.1025Z	1	Vis H	Screw	
7a	C171.10Z	1	Ecrou H	Nex nut	
8	C161.825Z	2	Vis H	Screw	
8a	C183.8Z	2	Rondelle frein	Spring washer	
9	S585.4030	1	Pylone	Support	
10	C133.4001	4	Raccord droit M/M	Male-male adaptor	
11	C131.701.3S	1	Vérin hydraulique à double effet	Double acting cylinder	
12	C161.1290Z	1	Vis H	Screw	
12a	C173.12	1	Ecrou frein	Lock nut	
13	S595.4029	1	Entretoise	Cross-piece	
14	C161.1280Z	1	Vis H	Screw	
14a	C173.12	1	Ecrou frein	Lock nut	
15	S595.4028	1	Entretoise	Cross-piece	
16	C134.4014	2	Raccord en équerre	Male / male Adaptor 90°	
17	C217.4001	5	Collier	Nylon clamp	
18	C131.701.3	2	Vérin hydraulique à double effet	Double acting cylinder	
19	C161.1270Z	2	Vis H	Screw	
19a	C173.12	2	Ecrou frein	Lock nut	
20	S595.4028	2	Entretoise	Cross-piece	
21	S595.4029	2	Entretoise	Cross-piece	
22	C134.4014	6	Raccord en équerre	Male / male Adaptor 90°	
23	C138.4002	2	Raccord en Té	Male / male / Female revolving "T" adaptor	
24	S585.4052	1	Support flexible	hydraulic hose attachment	
25	C136.4004	1	Raccord prolongateur (traversée decloison)	Bulkhead adaptor	
26	C139.4002	2	Coupleur femelle	Female quick coupler valve type	
27	C139.4001	2	Coupleur mâle	Male quick coupler valve type	

VUE ECLATEE N° V585.15.00 - SYSTEME HYDRAULIQUE DU COLLECTEUR ISEKI SBC500FH - HYDRAULIC SYSTEM

REPERE	REFERENCE	QTE	DESIGNATION	DESCRIPTION	Monté à partir du n° de série
28	C133.4027	1	Raccord droit M/F	Male / female adaptor	
29	C134.4005	2	Raccord en équerre M/M	Male / male Adaptor 90°	
30	C133.4028	2	Raccord droit M/M	Male / male Adaptor	
A	C132.4082	1	Flexible lg 730 ET8-ET8 90°	Hydraulic hose - Lg: 730 mm	
B	C132.4084	2	Flexible lg 900 ET8-ET8 90°	Hydraulic hose - Lg: 900 mm	
C	C132.4081	1	Flexible lg 540 ET8-1/4G	Hydraulic hose - Lg: 540 mm	
D	C132.4083	1	Flexible lg 570 ET8-ET8	Hydraulic hose - Lg: 570 mm	
E	C132.4080	1	Flexible lg 2400 ET8-ET8 90°	Hydraulic hose - Lg: 2400 mm	
F	C132.4085	1	Flexible lg 1170 ET8-ET8 90°	Hydraulic hose - Lg: 1170 mm	
G	C132.4086	2	Flexible lg 2725 ET8-ET8	Hydraulic hose - Lg: 2725 mm	
H	C132.4087	1	Flexible lg 2520 ET8-ET8	Hydraulic hose - Lg: 2520 mm	



COLLECTEUR SF 200
 ENS ROULETTES SUPPORT SF200

585.18.01

VUE ECLATEE N° V585.18 01- ENS ROULETTES SUPPORT SF 200

REPERE	REFERENCE	QTE	DESIGNATION	DESCRIPTION	Monté à partir du N° de série ...
1	S585.4068/A	2	Tige filetée	Threaded rod	
2	S585.4067	4	Bague	Spacer	
3	S585.4029	1	Chape béquille distributeur	Stand thread	
4	S585.4090	2	Roulette fixe	wheel	
4A	S585.4090A	2	Roulette mobile	wheel	
5	C171.20Z	12	Ecrou H	Nut	
6	C183.12Z	4	Rondelle grower	Spring washer	
7	S585.4058/A	2	Tige filetée	Threaded rod	
8	S585.4025	1	Chape pied bequille	Stand thread	
9	S585.4175	1	Chape double pied bequille	Stand thread	
10	C161.1025Z	2	Vis H	Screw	
11	C181.M10Z	4	Rondelle plate	Spring	
12	C173.10	2	Ecrou Frein	Nut	